

PRODUCED ON C.A.D.

DO NOT SCALE

IF IN DOUBT ASK

GENERAL TOLERANCE : ± 0.5mm

GENERAL CONSTRUCTION INFORMATION

Door No		Std Arg No	XX
Prod Code	AFL-XX	Rating	30/0,60/0
Type	FL DOOR UNIT		
Location			

GENERAL INFORMATION

The Screen will be manufactured from our ST60 system tested to comply with BS 476 parts 20-23 1987 for 60min Integrity. The screen frame comprises of mild steel box sections with 2mm walls (unless stated otherwise).

LEAF DETAILS

Handing	1 No. left hand, 1 No right hand
Material	bright polish/satin stainless steel / PPC
Glass	10mm or 12 mm Pyran

Doors manufactured using our Fyrespan FL system, comprising of top and bottom rail, for 30/60 minutes integrity only.

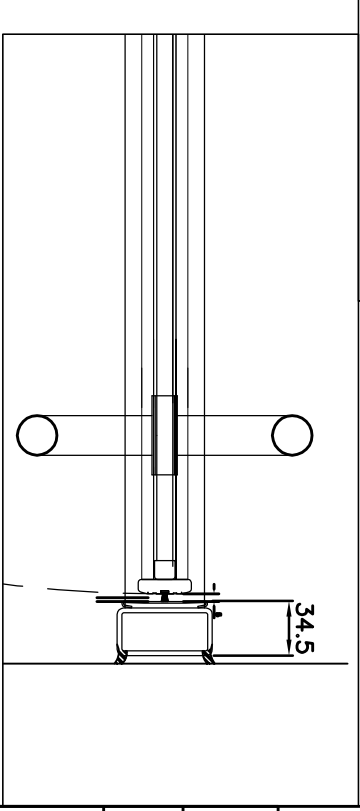
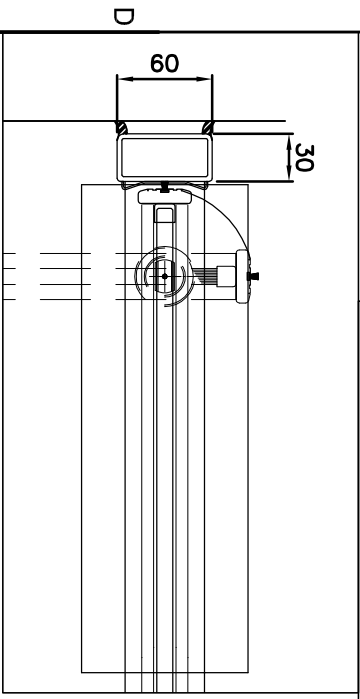
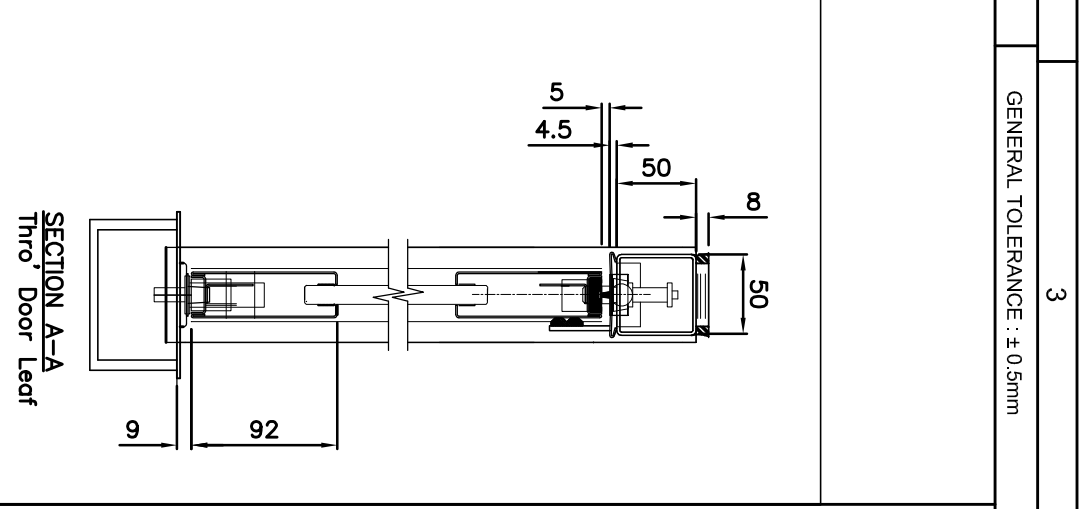
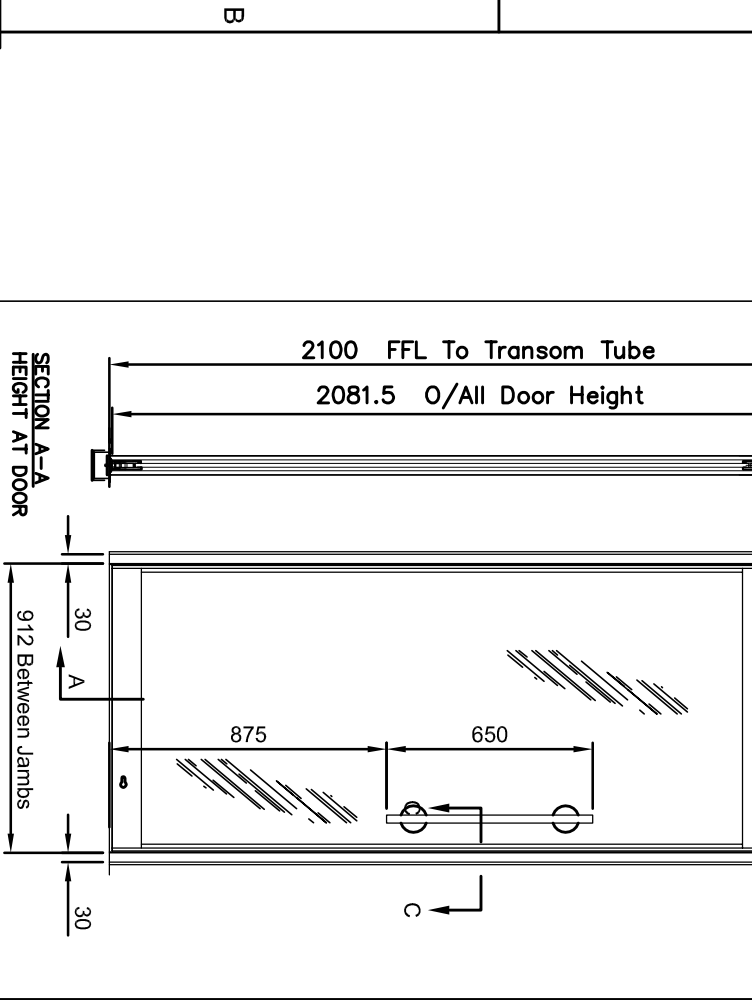
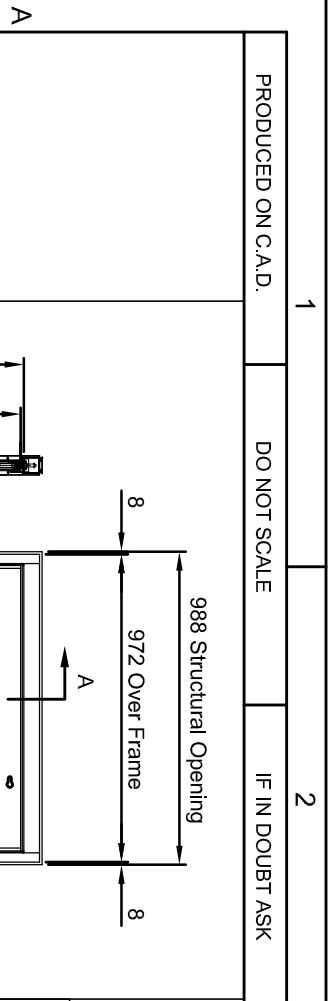
FRAME DETAILS

Frame Type	manufactured from our ST60 system
Material	bright polish/satin stainless steel / PPC
Fixings	varies on condition
Seal	designed if requested and as required
Threshold	designed if requested and as required
Construction	Constructed from 50 x50 and 60 x 30 tubes, mechanically fixed with our standard spigot system.

HARDWARE DETAILS (per door leaf)

Ref No	Description	Qty
	Dorma BTS 75V or BTS 80 floor springs	1
	Dorma hold open floor springs (optional)	
	Back to back pull handles.	1
	design, finish and dimensions variable	
	locking options:	
	as shown	
	wilka dealock with euro profile double cylinder	2
	concealed maglock	
	surface mounted maglock. (double or single)	
	ably electro magnetic transom mounted locks	

Paint Finish	standard RAL (metallic available upon request)
Accent Serial No. -	---



Customer	X	Project	X
Title	GA,AFL 01:1 No. single		
Drawn By	M.C	Date	18.12.08
Checked By		Date	

AccentHansen Limited  
Greengate Industrial Park  
Middleton  
Manchester M24 1SW  
Tel: 0161-284 4100  
Fax: 0161-655 3119  
email: operations@accenthansen.co.uk

**hansen steel door specialists**

Name	As first drawn	Scale	1 : 20	Sheet	1 of 1	Drawing No	AFL-03 datasheet	Issue	A
Date	Description	Rev	A	Rev	A				