

Door No		Std Arg No	XX
Prod Code	AFL-XX	Rating	30/0,60/0
Type	FL DOOR UNIT		
Location			

GENERAL INFORMATION

The Screen will be manufactured from our ST60 system tested to comply with BS 476 parts 20-23 1987 for 60min Integrity. The screen frame comprises of mild steel box sections with 2mm walls (unless stated otherwise).

LEAF DETAILS

Handing	1 No. left hand, 1 No right hand
Material	bright polish/satin stainless steel / PPC
Glass	10mm or 12 mm Pyran

Doors manufactured using our Fyrespan FL system, comprising of top and bottom rail, for 30/60 minutes integrity only.

FRAME DETAILS

Frame Type	manufactured from our ST60 system
Material	bright polish/satin stainless steel / PPC
Fixings	varies on condition
Seal	designed if requested and as required
Threshold	designed if requested and as required
Construction	Constructed from 50 x50 and 60 x 30 tubes, mechanically fixed with our standard spigot system.

HARDWARE DETAILS (per door leaf)

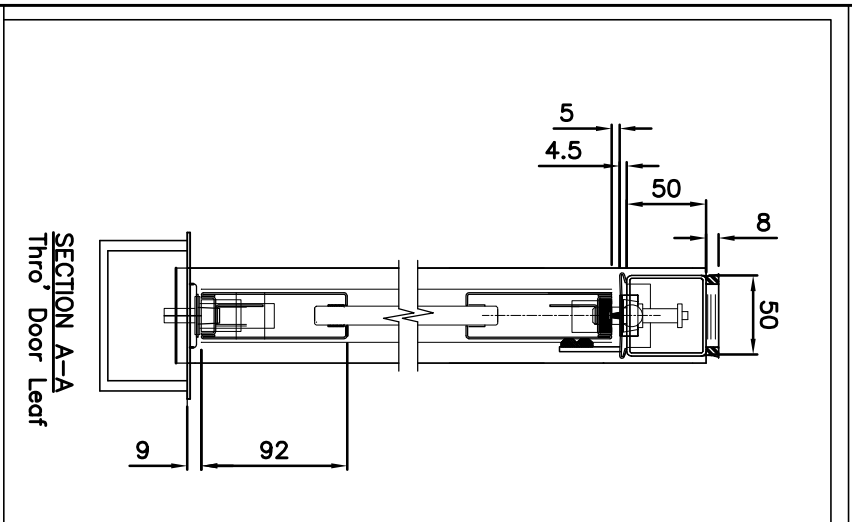
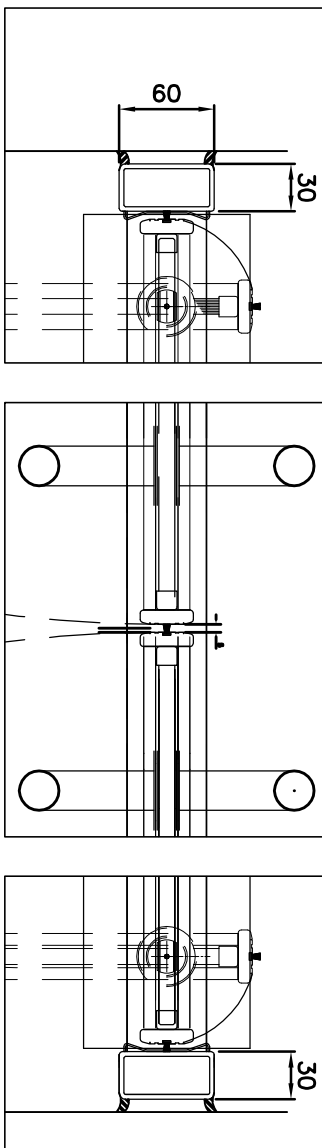
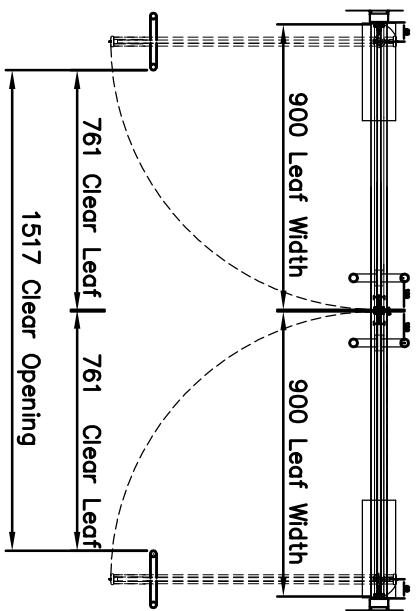
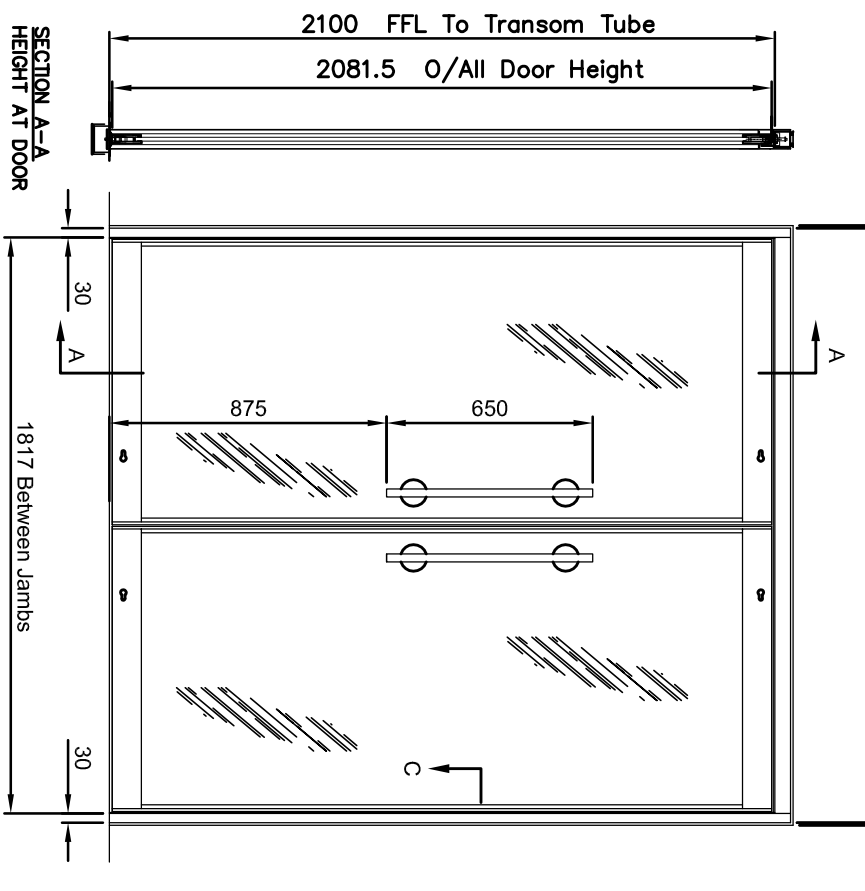
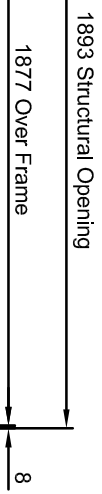
Ref No	Description	Qty
	Dorma BTS 75V or BTS 80 floor springs	1
	Dorma hold open floor springs (optional)	

Back to back pull handles.
design, finish and dimensions variable

locking options:	
wilka dealock with euro profile double cylinder	2
concealed maglock	
surface mounted maglock. (double or single)	
ably electro magnetic transom mounted locks	

Paint Finish standard RAL (metallic available upon request)

Accent Serial No. - --



Customer X

Project X

Title GA,AFL 02:1 No. pair

Drawn By	M.C	Date	18.12.08
Checked By		Date	

Name	As first drawn	Rev	A	Scale	1 : 20	Sheet	1 of 1
Date	Description						

AccentHansen Limited
Greengate Industrial Park
Middleton
Manchester M24 1SW
Tel: 0161-284 4100
Fax: 0161-655 3119
email: operations@accenthansen.co.uk

hansen steel door specialists
Drawing No AFL-03 datasheet Issue A