

PRODUCED ON C.A.D.

DO NOT SCALE

IF IN DOUBT ASK

GENERAL TOLERANCE : ± 0.5mm

GENERAL CONSTRUCTION INFORMATION

Door No		Std Arg No	XX
Prod Code	AFL-XX	Rating	30/0,60/0
Type	FL DOOR UNIT		
Location			

GENERAL INFORMATION

The Screen will be manufactured from our ST60 system tested to comply with BS 476 parts 20-23 1987 for 60min integrity. The screen frame comprises of mild steel box sections with 2mm walls (unless stated otherwise) with clip on beads to glazed side wings. The frame is spigot fixed.

LEAF DETAILS

Handing	1 No. left hand, 1 No right hand
Material	bright polish/satin stainless steel / PPC
Glass	10mm or 12 mm Pyran
Construction	Doors manufactured using our Fyrespan FL system, comprising of top and bottom rail, for 30/60 minutes integrity only.

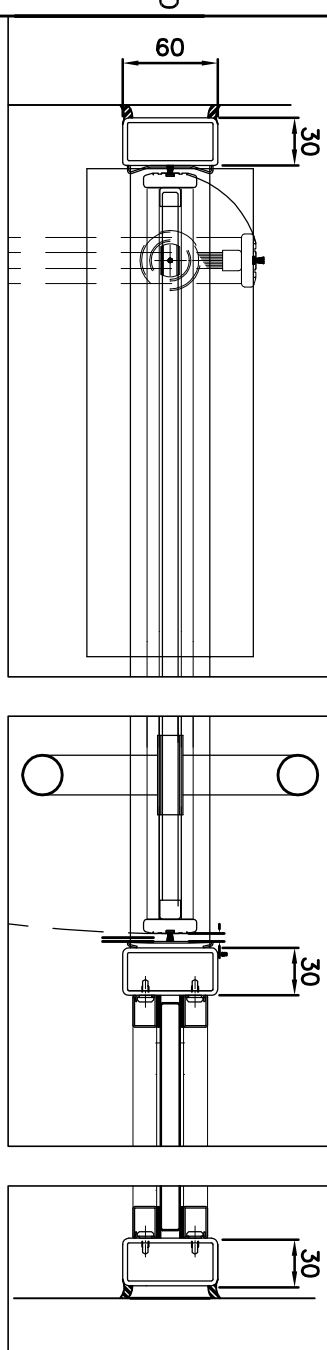
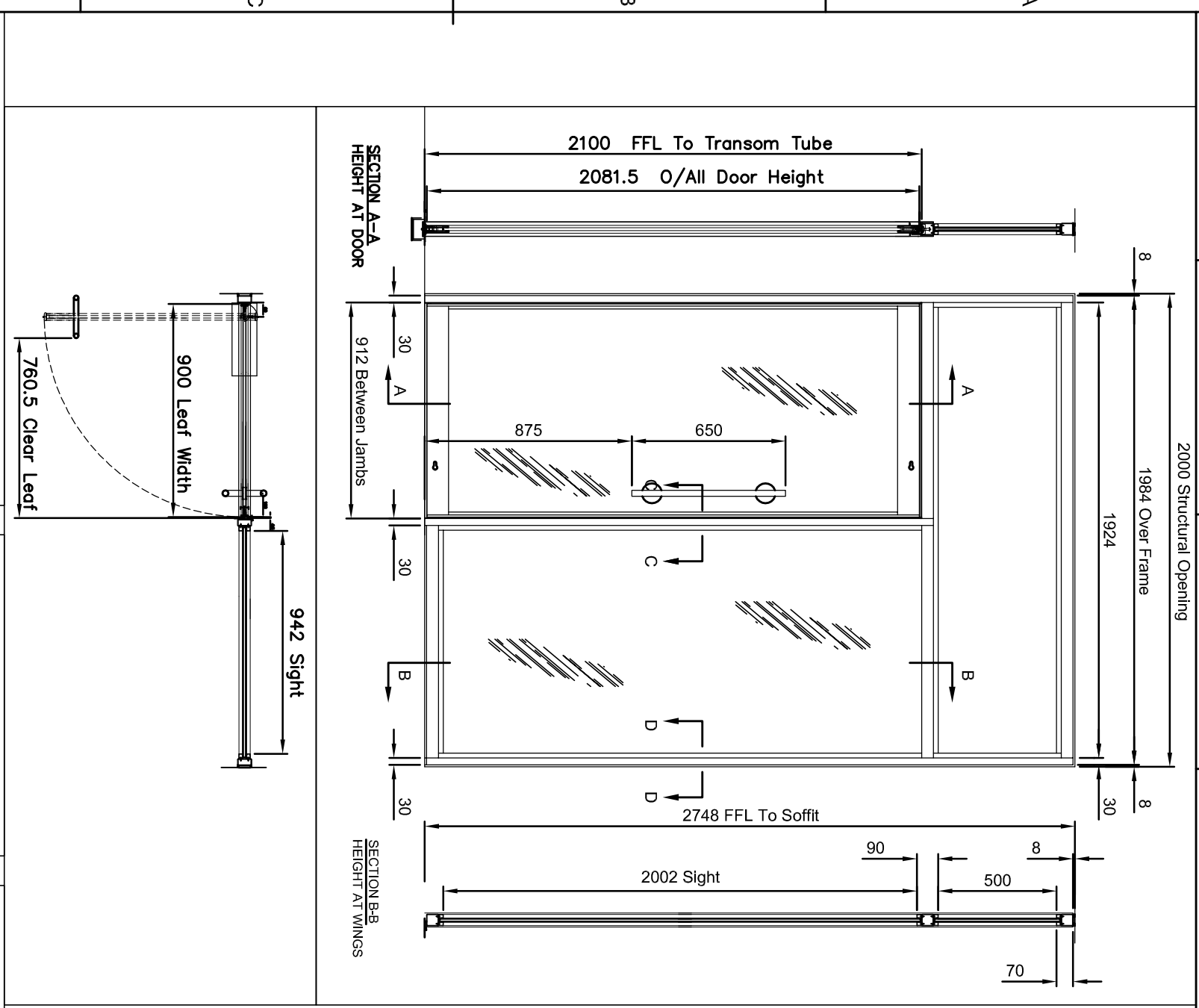
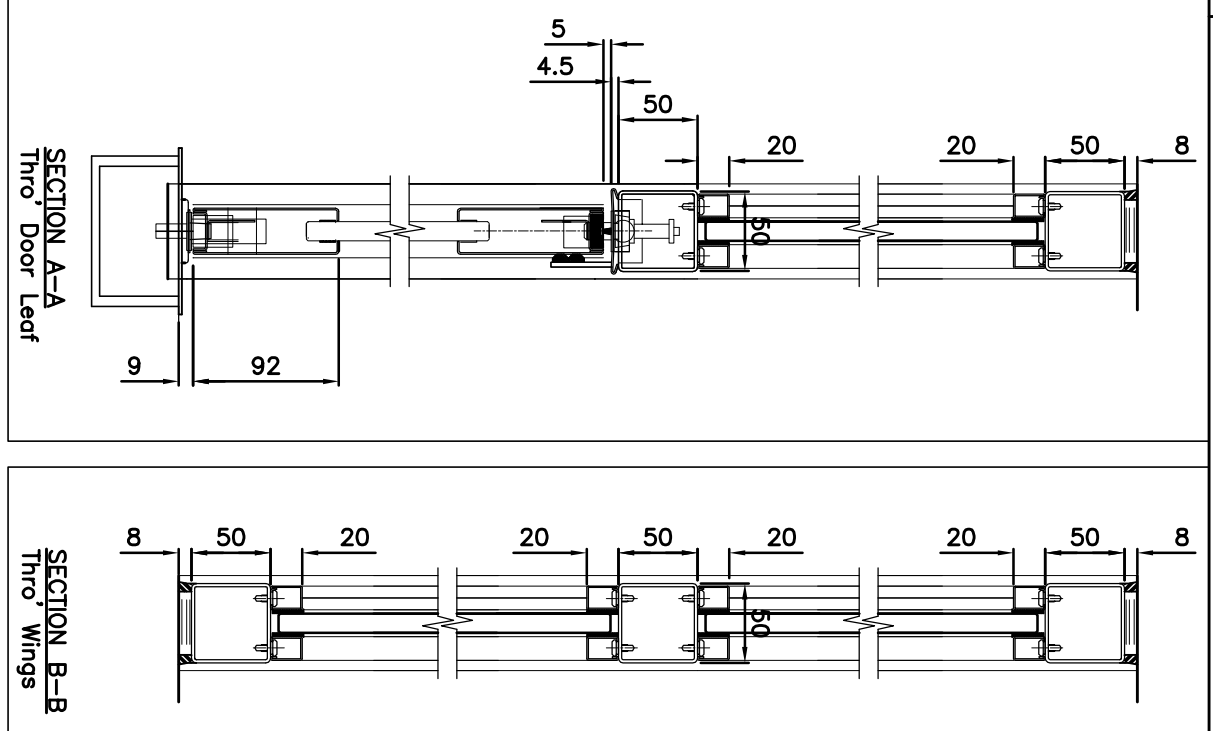
FRAME DETAILS

Frame Type	manufactured from our ST60 system
Material	bright polish/satin stainless steel / PPC
Fixings	varies on condition
Seal	
Threshold	designed if requested and as required
Construction	Constructed from 50 x50 and 60 x 30 tubes, mechanically fixed with our standard spigot system.

HARDWARE DETAILS (per door leaf)

Ref No	Description	Qty
	Dorma BTS 75V or BTS 80 floor springs	1
	Dorma hold open floor springs (optional)	
	Back to back pull handles.	1
	design, finish and dimensions variable	
	locking options:	
	wilka dealock with euro profile double cylinder	2
	concealed maglock	
	surface mounted maglock. (double or single)	
	ably electro magnetic transom mounted locks	

Paint Finish	standard RAL (metallic available upon request)
Accent Serial No. -	---



Customer X Project X  
 Title GA,AFL 05:1 No. single door with overpanel and glazed side screen

Drawn By M.C  
 Checked By  
 Date 18.12.08

Name	As first drawn
Date	
Rev	A
Scale	1 : 20
Sheet	1 of 1

hansen steel door specialists  
 email: operations@accenthansen.co.uk

AccentHansen Limited  
 Greengate Industrial Park  
 Greengate  
 Middleton  
 Manchester M24 1SW  
 Tel: 0161-284 4100  
 Fax: 0161-655 3119

Drawing No AFL-03 datasheet  
 Issue A