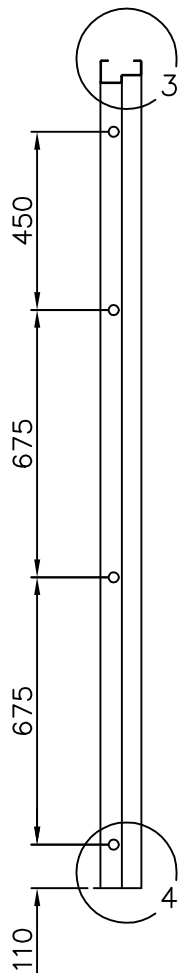
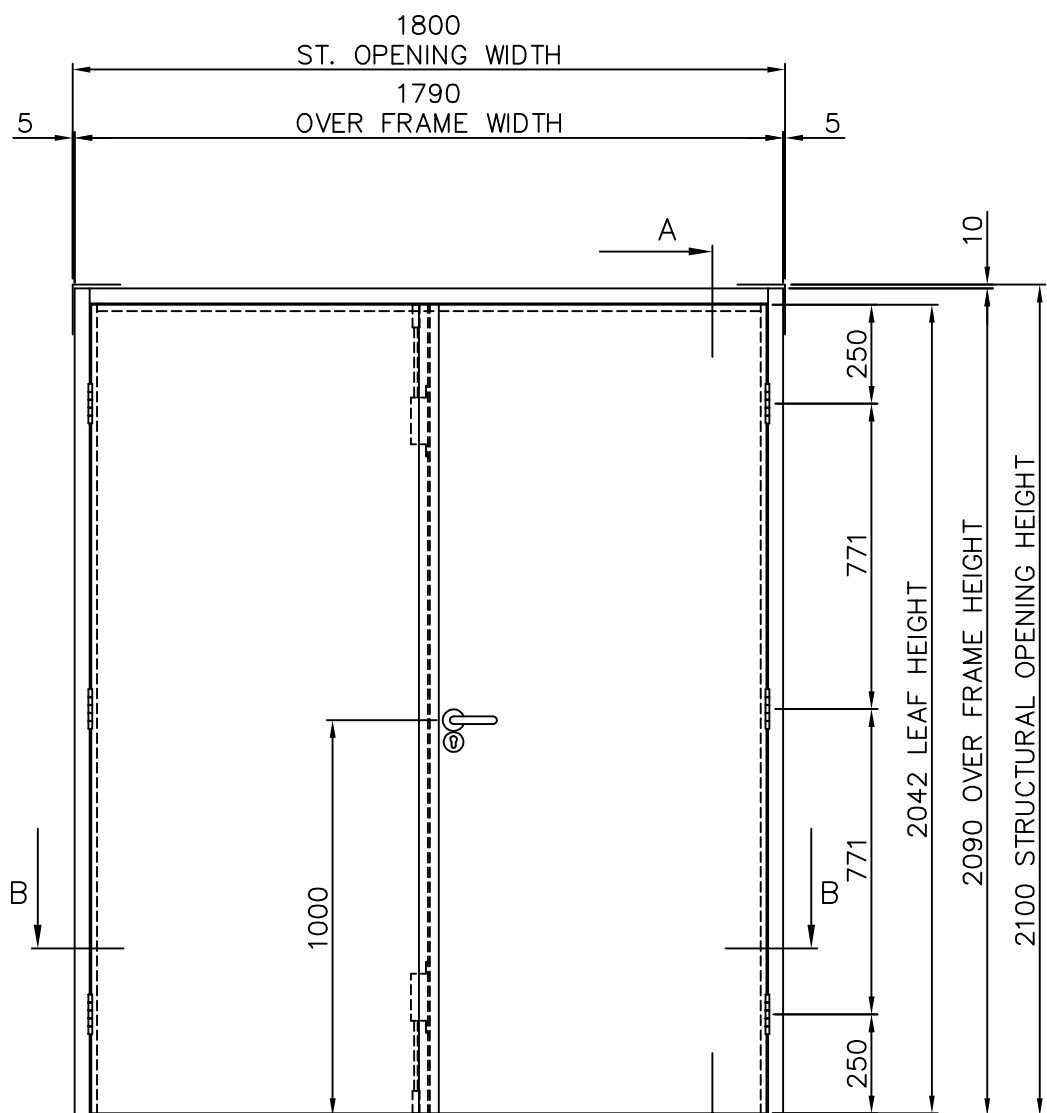
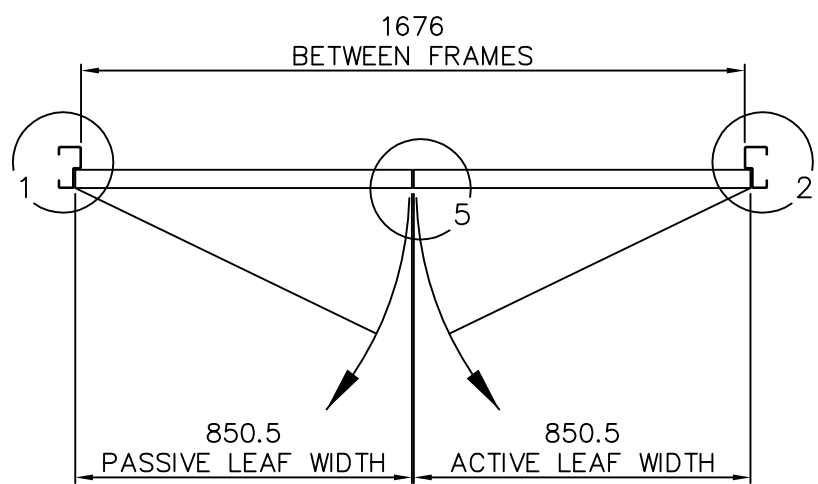


PRODUCED ON C.A.D. DO NOT SCALE IF IN DOUBT ASK GENERAL TOLERANCE : ± 0.5mm

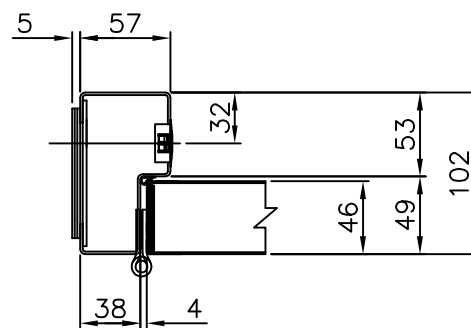


SECTION 'A-A'

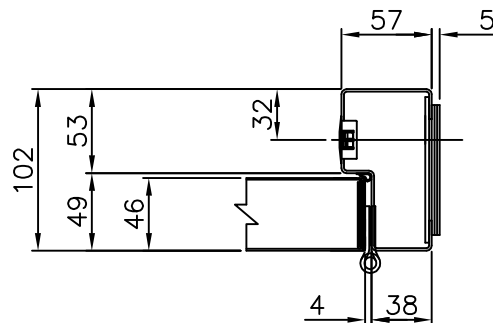


SECTION 'B-B'

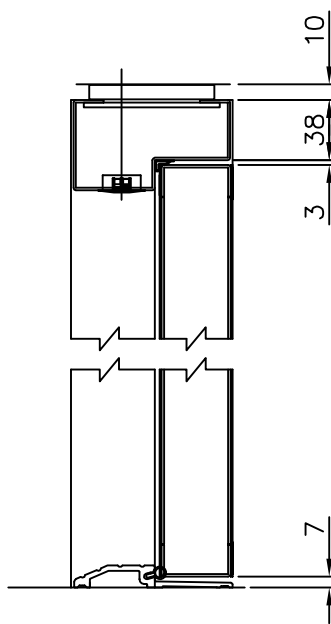
1



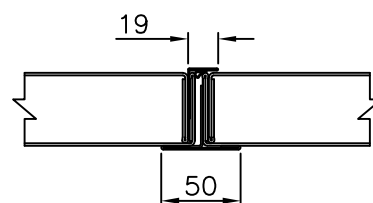
2



3



4



5

GENERAL CONSTRUCTION INFORMATION

Door No.	SEE BELOW	Std Arr No.	7
Prod Code	MS1	Rating	N/A
Type	MULTISHIELD OUTWARD OPENING		
Location	EXTERNAL		
Leaf	R.H.ACTIVE		
Material	1.2mm THICK ZINTEC		
Infill	PAPER HONEYCOMB		
Hinges	3 PAIRS ACCENT PLAIN HINGES		

IRONMONGERY DETAILS

ALL IRONMONGERY TO BE CONFIRMED  
LEVER, CYLINDER & FLUSH BOLTS  
SHOWN

Frame	SINGLE REBATE
Assy Method	BOLTED CONSTRUCTION
Material	1.6mm THICK ZINTEC
Fixings	TO BE CONFIRMED
Grommets	BLACK PLASTIC FRAME GROMMETS
Substrate	TO BE CONFIRMED
Rebate Seals	TUBULAR RUBBER COMPRESSION

**NOTE**  
AS PART OF THE APPROVAL PROCESS WOULD THE RECIPIENT OF THIS DRAWING  
CHECK THAT THE FRAME FIXING CENTRES INDICATED WILL NOT CO-INCIDE WITH  
ANY MORTAR JOINT OR BE WITHIN 50mm FROM THE EDGE OF THE SUBSTRATE

Finish	POLYESTER POWDER COATED BS OR RAL COLOUR REFERENCE
--------	---

FOR OFFICE USE ONLY

ACCENT REF. No.	CUST REF. No.	AS DRAWN HANDING
-----------------	---------------	---------------------

Customer		Title	
		G.A. T.T. MULTISHIELD DOOR R.H.ACTIVE DOUBLE	
Drawn	Date	3rd Angle Projection	
Checked	Date		
Drawing No.		Scale	Issue
		NTS	A

Date	Remarks	Issue
	AS FIRST DRAWN	A



AccentHansen  
Greengate Ind Park  
Greengate, Middleton  
Manchester M24 1SW  
TEL: 0161-284 4100  
FAX: 0161-655 3119  
**Steel Door Specialists**