

PRODUCED ON C.A.D. DO NOT SCALE IF IN DOUBT ASK GENERAL TOLERANCE : ± 0.5mm

GENERAL CONSTRUCTION INFORMATION

Door No.	SEE BELOW	Std Arr No.	5
Prod Code	MS1	Rating	N/A
Type	MULTISHIELD OUTWARD OPENING		
Location	EXTERNAL		
Leaf	R.H.ACTIVE		
Material	1.2mm THICK ZINTEC		
Infill	PAPER HONEYCOMB		
Hinges	1.5 PAIRS ACCENT PLAIN HINGES		

IRONMONGERY DETAILS

ALL IRONMONGERY TO BE CONFIRMED
LEVER AND CYLINDER SHOWN

Frame	SINGLE REBATE
Assy Method	BOLTED CONSTRUCTION
Material	1.6mm THICK ZINTEC
Fixings	TO BE CONFIRMED
Grommets	BLACK PLASTIC FRAME GROMMETS
Substrate	TO BE CONFIRMED
Rebate Seals	TUBULAR RUBBER COMPRESSION

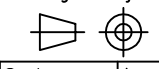
NOTE

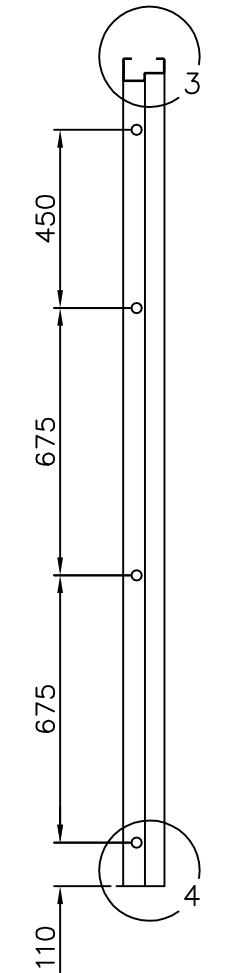
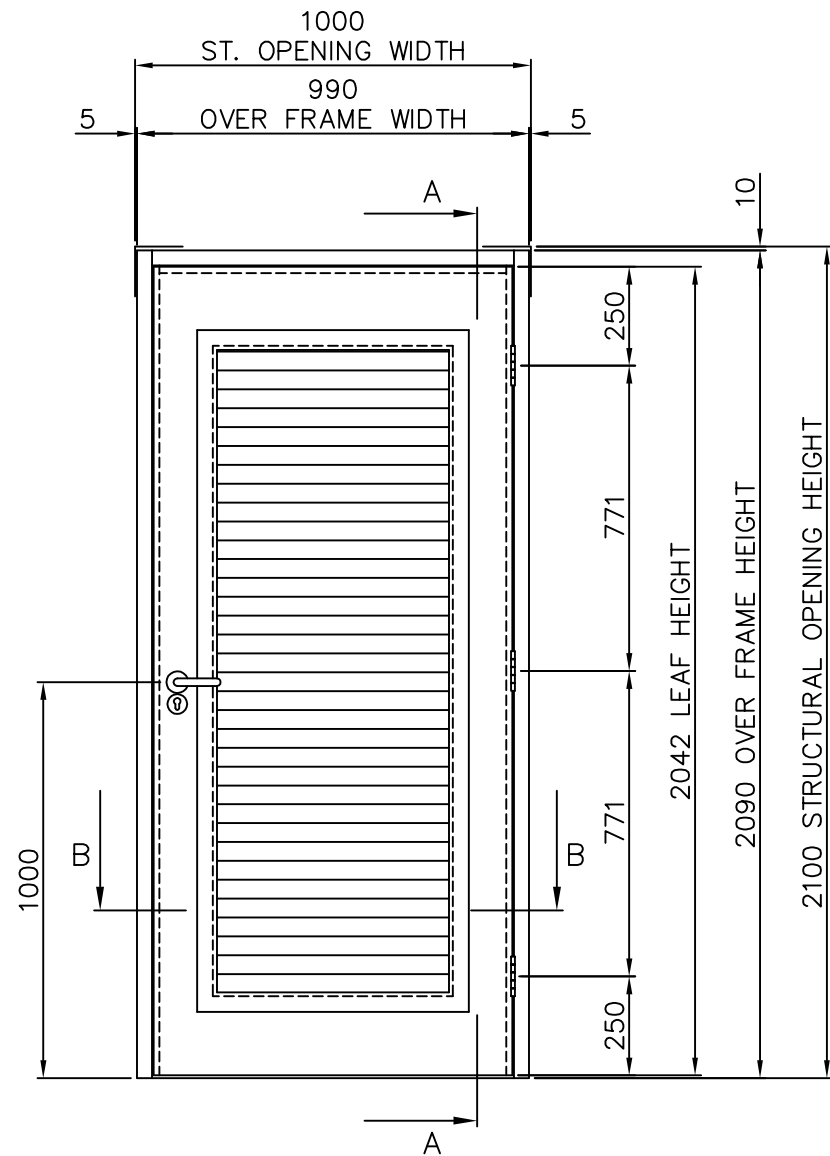
AS PART OF THE APPROVAL PROCESS WOULD THE RECIPIENT OF THIS DRAWING CHECK THAT THE FRAME FIXING CENTRES INDICATED WILL NOT CO-INCIDE WITH ANY MORTAR JOINT OR BE WITHIN 50mm FROM THE EDGE OF THE SUBSTRATE

Louvre	FULLY LOUVRED PANEL TO LEAF
Size	600mm WIDE x 1600mm HIGH
Type	WEATHER LOUVRE C/W BIRD MESH
Finish	POWDER COATED AS DOOR LEAF
Finish	POLYESTER POWDER COATED
	BS OR RAL COLOUR REFERENCE

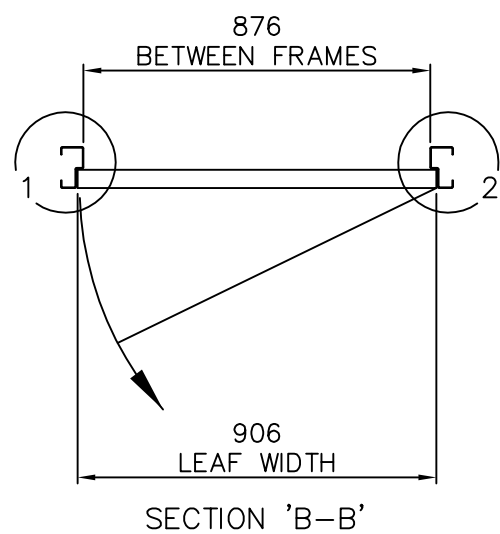
FOR OFFICE USE ONLY

ACCENT REF. No.	CUST REF. No.	AS DRAWN HANDLING
-----------------	---------------	-------------------

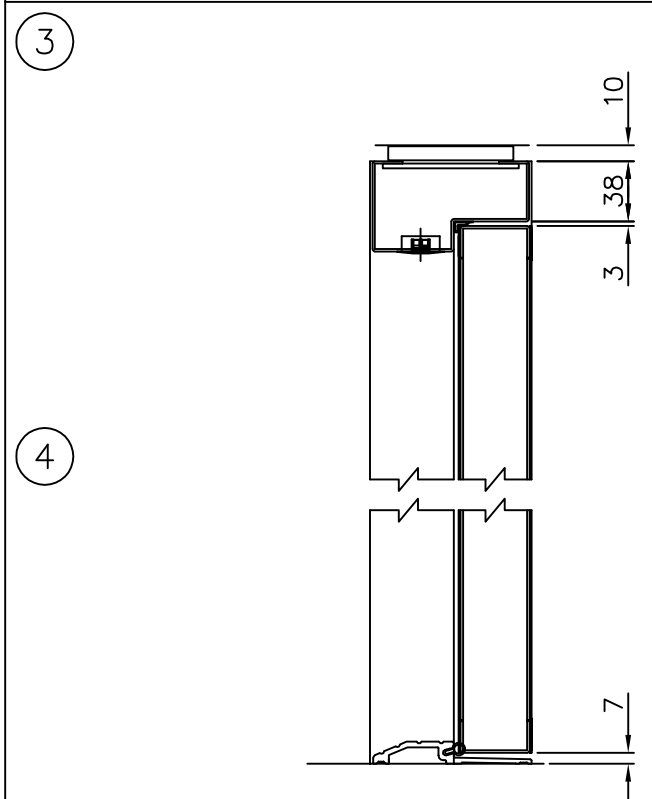
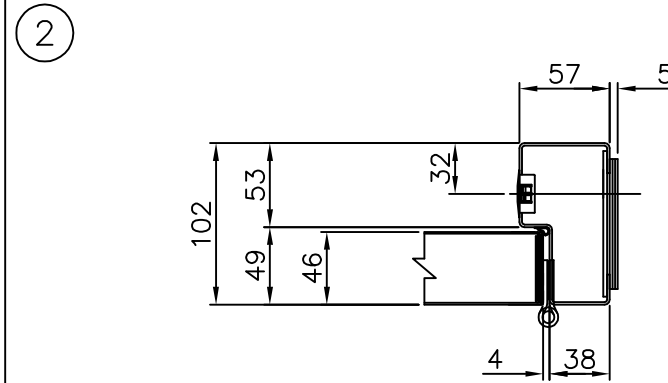
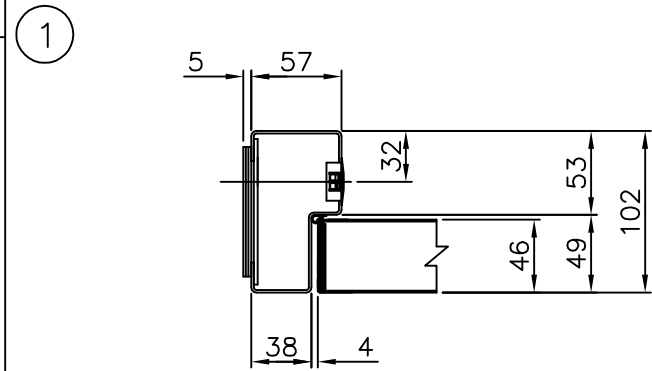
Customer		Title	
		G.A. T.T. MULTISHIELD DOOR R.H.ACTIVE SINGLE	
Drawn	Date	3rd Angle Projection	
Checked	Date		
Drawing No.		Scale	Issue
		NTS	A



SECTION 'A-A'



SECTION 'B-B'



Date	Remarks	Issue
	AS FIRST DRAWN	A



AccentHansen
Greengate Ind Park
Greengate, Middleton
Manchester M24 1SW
TEL: 0161-284 4100
FAX: 0161-655 3119
Steel Door Specialists